

Manual call point with SelfVerify - BF-300M

Interactive fire detection systems
Product datasheet

Features

- Addressable
- Max. 3 second response time
- The call point comprises a built in indicator (LED)
- Can be tested by means of a special test key
- With SelfVerify function for reduced maintenance/ testing and increased reliability
- Short circuit isolator in each call point
- Automatic addressing
- Proven technology
- Designed to meet the requirement of the major maritime classification societies

Applications

BF-300M is a manual call point designed for use with Autronica's interactive fire detection systems, and comprises the SelfVerify function. This function ensures the highest grade of reliability and the lowest degree of manual testing because all units comprising this function are automatically self-tested once every 24 hours.

BF-300M is delivered with a metal box fitted with two cable glands. This version is made for applications where a higher degree of weather protection is required.

There is also a BF-300M/N version for use in hazardous area zone 2. It must be connected to the BSD-310/N loop driver, but does not require an isolator/barrier unit.

The call point must be installed according to local regulations, which normally means along escape routes, landings and exits.

Principle

Break glass operation, releasing alarm switch.
Reset when a new glass is mounted.

SelfVerify: the call point's ability to initiate alarms is regularly checked.



Versions

- BF-300* Manual call point with SelfVerify
- BF-300M Manual call point with SelfVerify, with metal mounting box and cable glands
- BF-500/EX* Manual call point with SelfVerify. EExia-version for use in all zones
- BF-300M/N Manual call point with SelfVerify. Eexn-version for use in zone 2 only
- BF-500/N* Manual call point with SelfVerify. Eexn-version for use in zone 2

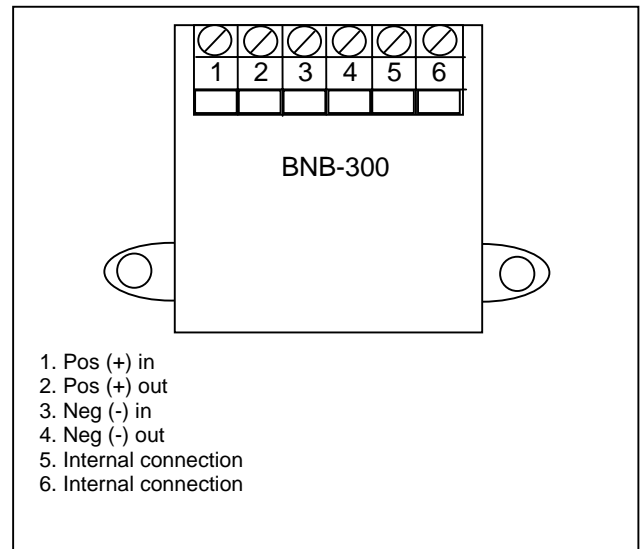
* See separate data sheet

Technical specifications	
Weight	989 g
Material	Thermo plastic
Material, M-version box	Silumin
Colour	Red
Voltage	10 - 27 VDC
Current consumption	
Stand by:	0,3mA
Alarm (LED):	6mA
Environm. requirement	EN 54
Degree of protection, inner housing	IP44
Working temperature	- 30 - + 50°C
Humidity (non-condensing)	Max. 95% RH
Cable wire	Maximum 2,5 mm ²
Maintenance	Replace broken glass
Service	Replace if faulty
Approvals	See website
Certificate for BF-300M/N	NEMKO 03ATEX217X

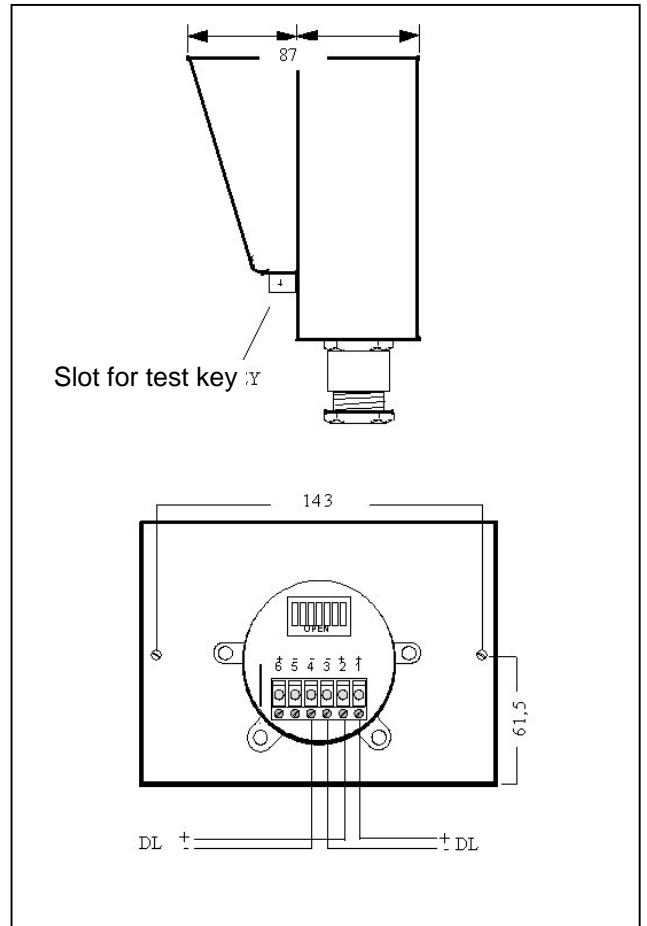
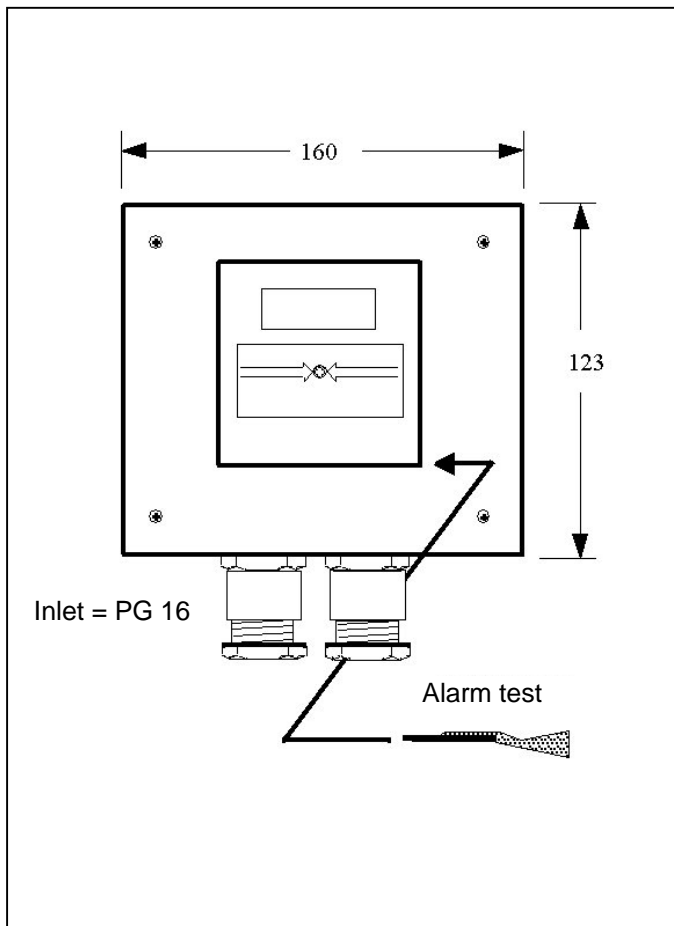


Part number	Description
116-BF-300M	BF-300 with metal mounting box, including two FG16 cable glands
116-BF-300M/GB	BF-300M with labels according to B5839 part 2
116-BF-300M/N	BF-300M certified for use in zone 2

Connections



Dimensions



AUTRONICA FIRE AND SECURITY AS

Head office, NO-7483 Trondheim, Norway Tel: +47 73 58 25 00, fax: +47 73 58 25 01, e-mail: info@autronicafire.no
 Oil and Gas division, Stavanger, Norway Tel: +47 51 84 09 00, fax: +47 51 84 09 99
 Maritime division, Spikkestad, Norway Tel: +47 31 29 55 00, fax: +47 31 29 55 01